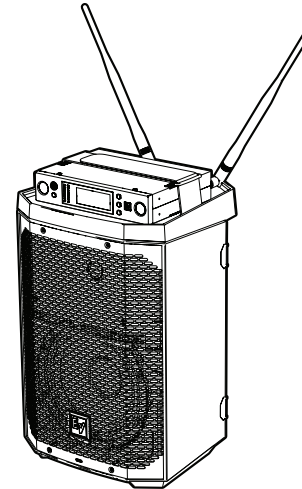


# EVERSE8 Accessory tray, 12V DC



- Secure mounting tray for wireless microphone receivers such as the Electro-Voice RE3 or R300, and other equipment such as tablets or smartphones.
- The hook and loop strap combined with integrated locating notches keep both microphone receivers and microphones secure.
- DC power cable included to power your RE3 or R300 receiver with the EVERSE 8's battery.
- Available in black and white.



## Technical specifications

|                                     |                              |
|-------------------------------------|------------------------------|
| Material                            | Polypropylene                |
| Color                               | Black or white               |
| Cable length (mm)                   | 650 mm                       |
| Cable length (in)                   | 19.7 in                      |
| Cable color                         | Black                        |
| Connector OD (mm)                   | 5.5 mm                       |
| Connector ID (mm)                   | 2.5 mm                       |
| Connector length (mm)               | 11 mm                        |
| Polarity                            | Center positive              |
| Weight (kg)                         | 0.4930 kg                    |
| Weight (lb)                         | 1 lb                         |
| Shipping weight (kg)                | 0.81 kg                      |
| Shipping weight (lb)                | 1.80 lb                      |
| Dimensions (H x W x D) (mm)         | 60 mm x 274 mm x 271 mm      |
| Dimensions (H x W x D) (in)         | 2.4 in x 10.74 in x 10.66 in |
| Shipping dimension (H x W x D) (mm) | 310 mm x 330 mm x 88 mm      |
| Shipping dimension (H x W x D) (in) | 12.2 in x 13 in x 3.5 in     |

## Dimensions

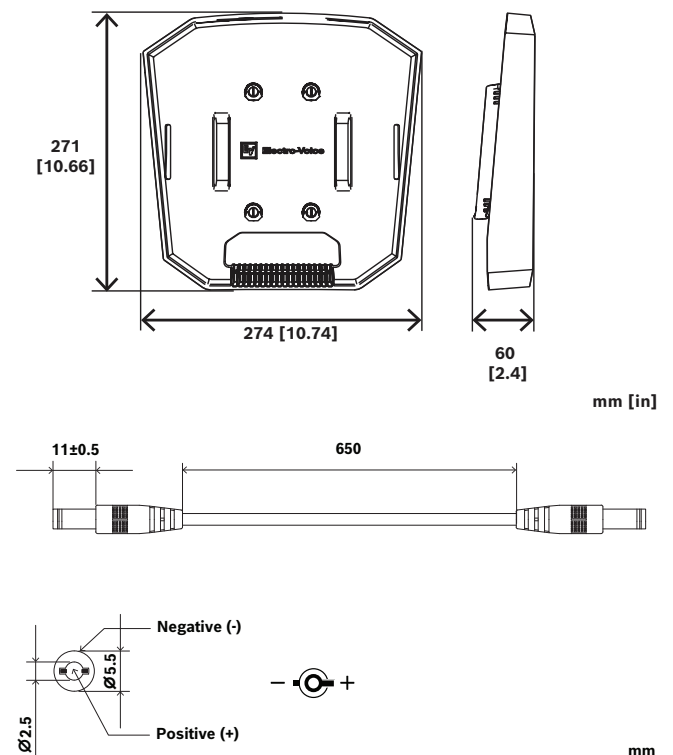


Fig. 1: EVERSE8 DC power cable measurements and polarity

## Ordering information

### **EVERSE8-TRAY-B Tray for EVERSE 8, 12V DC cable black**

Wireless microphone tray

Order number **EVERSE8-TRAY-B | F.01U.399.470**

---

### **EVERSE8-TRAY-W Tray for EVERSE 8, 12V DC cable**

**white**

Wireless microphone tray

Order number **EVERSE8-TRAY-W | F.01U.399.471**

---

#### Represented by:

**Germany:**  
Bosch Sicherheitssysteme GmbH  
Robert-Bosch-Ring 5  
85630 Grasbrunn  
Germany  
[www.electrovoice.com](http://www.electrovoice.com)

Bosch Security Systems, LLC  
12000 Portland Avenue South  
Burnsville MN 55337  
USA