

Safety

The safety factor is the ratio of the **ultimate break strength** divided by the **working load limit**. The ultimate break strength represents the force at which a part will structurally fail. The working load limit is the maximum load that the user shall apply. The safety factor provides a margin of safety above the working-load limit to accommodate normal dynamic loading and normal wear.

The use of mounting configurations other than recommended by Electro-Voice in this manual are at the risk of the user.

Warning!

Suspending any object is potentially dangerous and should only be attempted by individuals who have a thorough knowledge of the techniques and regulations of suspending objects overhead. Electro-Voice strongly recommends that loudspeakers be suspended taking into account all current national, federal, state, and local laws and regulations. It is the responsibility of the installer to ensure all loudspeakers are safely installed in accordance with all such requirements. When loudspeakers are suspended, Electro-Voice strongly recommends the system be inspected at least once per year or as laws and regulations require. If any sign of weakness or damage is detected, remedial action should be taken immediately. The user is responsible for making sure the wall, ceiling, or structure is capable of supporting all objects suspended overhead. Any hardware used to suspend a loudspeaker not associated with Electro-Voice is the responsibility of others.

Prior to use, inspect the suspension points and associated hardware for any cracks, deformations, broken welds, corrosion, missing or damaged components which could reduce the suspension points strength. Replace any damaged hardware. Never exceed the limitations or maximum recommended load intended for the suspension points. As an added safety measure, it is suggested the user install an extra suspension point back to the building structural supports. This redundant safety point should have as little slack as possible (less than one inch is preferable). Prior to each use, inspect the loudspeaker enclosures for any cracks, deformations, missing or damaged components, which could reduce enclosure strength. Replace any loudspeaker systems that are damaged or missing hardware.

Warranty information

For information on warranty periods and after sales service, please visit: www.electrovoice.com/warranty

Parts included

Make sure that all parts are included and not damaged. If the packaging or any parts are damaged, contact your shipper. If any parts are missing, contact your Sales or Customer Service Representative.

Quantity	Component
1	Bracket with through hole
1	Bracket with slotted hole
1	U-bracket
2	Screw, M6 x 20, Phillips, Pan Head, Steel, Black Zinc Coating
1	Quick installation guide

Installation

Thank you for choosing ZLX-G2-BRKT accessory. This manual describes how to install the mounting bracket with the ZLX-G2 full-range loudspeaker system.

The ZLX-G2-BRKT is used to mount a ZLX-12-G2, ZLX-12P-G2, ZLX-15-G2, or ZLX-15P-G2 full-range loudspeaker to a wall, ceiling, pole, pipe, or truss.

The mounting bracket kit contains the following:

Quantity	Component
1	Bracket with through hole

Quantity	Component
1	Bracket with slotted hole
1	U-bracket
2	Screw, M6 x 20, Phillips, Pan Head, Steel, Black Zinc Coating
1	Quick installation guide

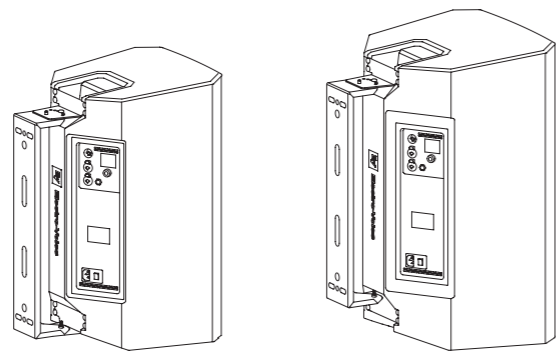


Fig. 1: 12-inch and 15-inch powered version

Mounting the U-bracket to the wall or ceiling

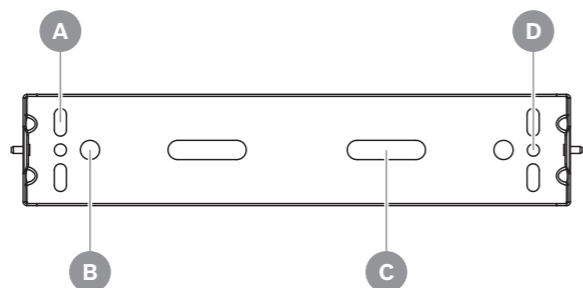
Caution!

Due to the weight of the Electro-Voice loudspeaker system, it is imperative the bracket is properly secured to the wall. The choice of fastener (not supplied) will be determined by the material and construction of the mounting surface. The user is responsible to ensure the mounting surface and fasteners are capable of supporting the weight of the loudspeaker.



Caution!

We recommend that two or more persons lift and place heavier loudspeakers. Single person lift and placement of heavier loudspeakers could cause injury.



A	For vertical or horizontal mounting using four screws OR pole/truss mounting for nominal pipe size up to 2" (DN50) using two U-bolts. Accepts fastener diameters up to 3/8" or M10. Refer to <i>Technical data</i> for slot dimensions.
B	For horizontal suspension using two threaded rods up to 5/8" or M16 diameter OR pole/truss mounting using two Electro-Voice TCA-1 truss clamp adapters.
C	For pole mounting using one U-bolt for nominal pipe size between 4" (DN100) and 6" (DN175). Accepts fastener diameters up to 5/8" or M16. Refer to <i>Technical data</i> for slot dimensions.
D	For horizontal suspension using two threaded rods OR vertical or horizontal mounting using two screws. Accepts fastener diameters up to 3/8" or M10.

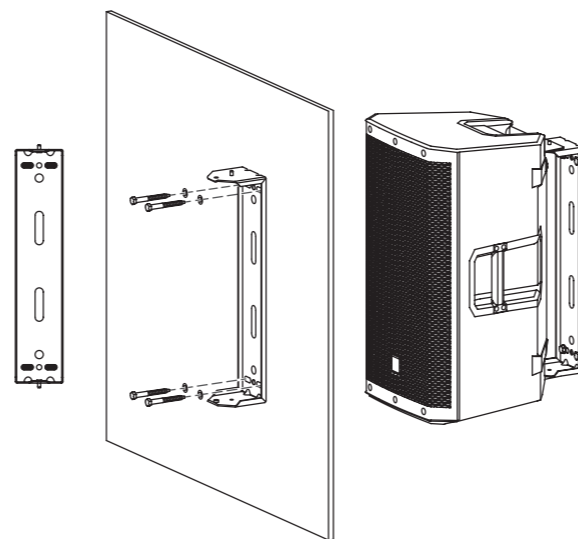


Fig. 2: Vertical or horizontal wall mounting using four 3/8" or M10 screws

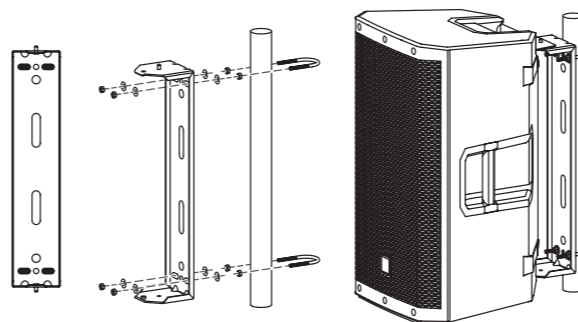


Fig. 3: Vertical pole mounting using 2" or DN50 U-Bolts

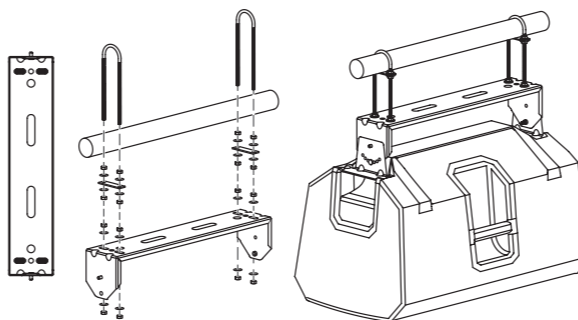


Fig. 4: Horizontal pole/truss mounting using 2" or DN50 long U-Bolts

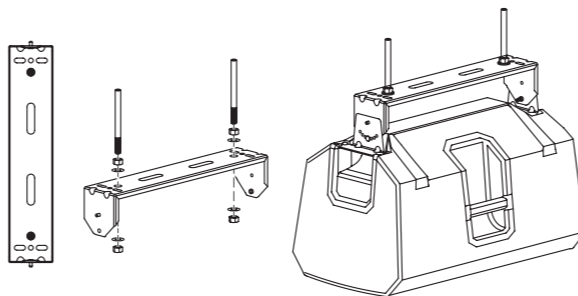


Fig. 5: Horizontal suspension using 1/2" or M16 threaded rods

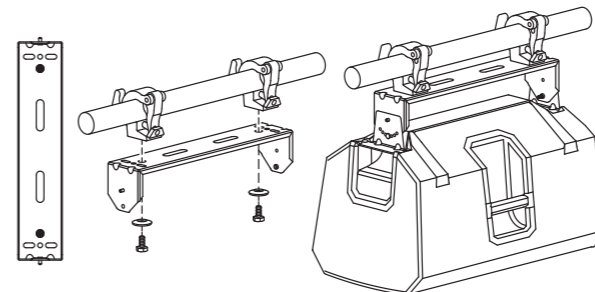


Fig. 6: Horizontal mounting using TCA-1 truss clamps

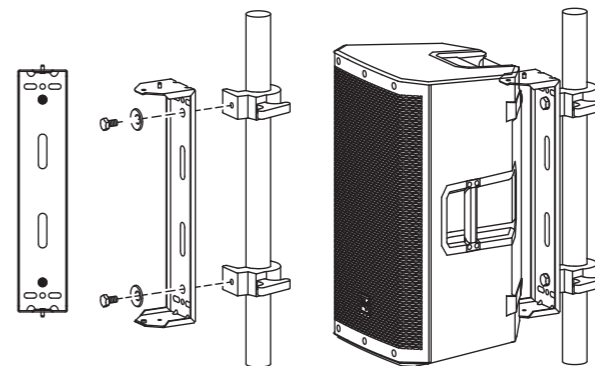


Fig. 7: Vertical mounting using TCA-1 truss clamps

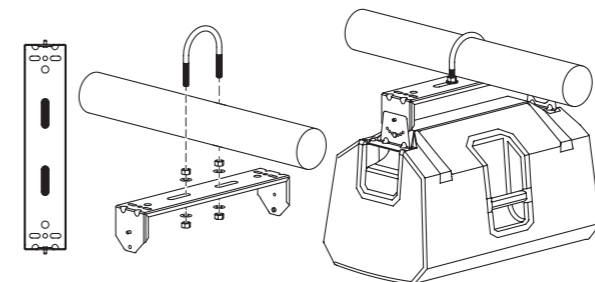


Fig. 8: Horizontal pole/truss mounting using 4" to 6" or DN100 to DN175 U-Bolts

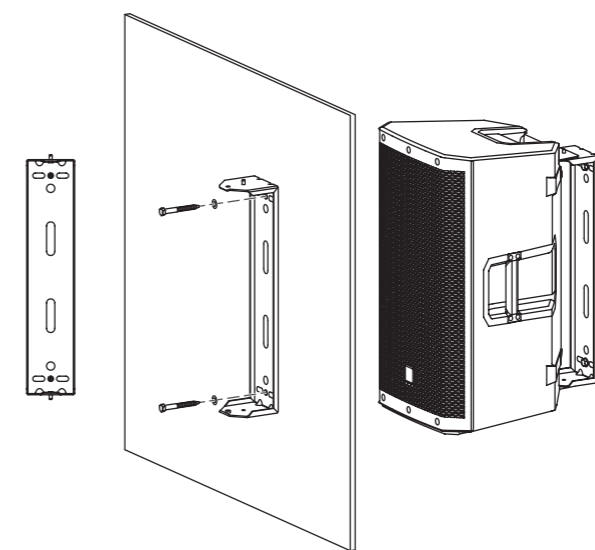


Fig. 9: Vertical or horizontal wall mounting using two 3/8" or M10 screws

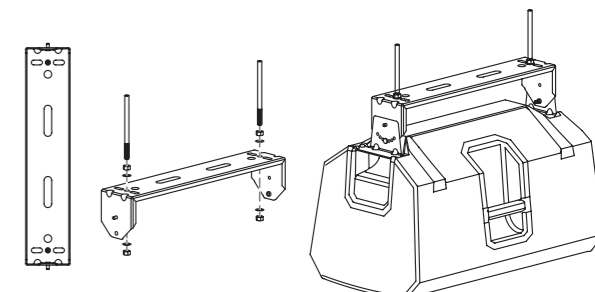


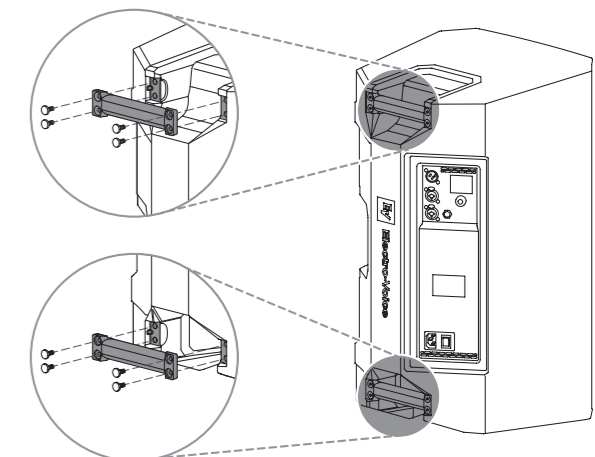
Fig. 10: Horizontal suspension using 3/8" or M10 threaded rods

Refer to

– *Technical data*

Attaching the bracket to the loudspeaker

- Using a screwdriver with a hex drive, remove the four screws that hold the top and bottom handles to the enclosure.



Notice! Keep the eight handle mounting screws. These screws are necessary to install the smaller brackets.

Notice! When mounting the loudspeaker in a vertical orientation, the bracket with slotted hole needs to be installed at the bottom of the loudspeaker.

- Using the eight screws removed from the handles, install the two smaller brackets to the top and bottom of the loudspeaker.

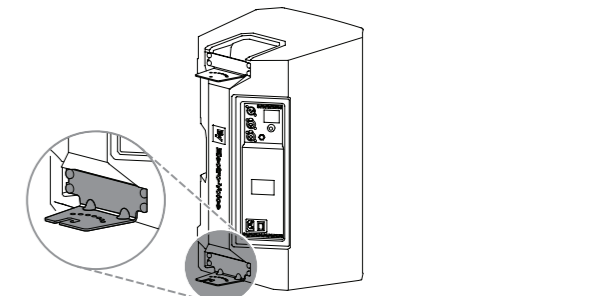
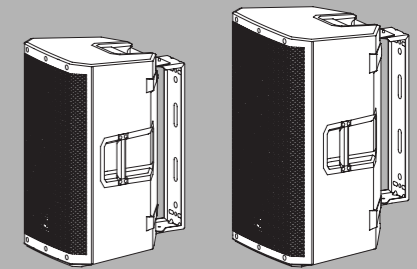
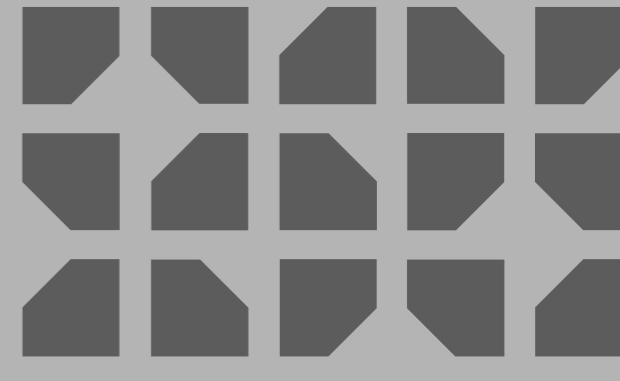


Fig. 11: 12-inch version

ZLX-G2 Full-Range Loudspeaker
Accessory
 ZLX-G2-BRKT



Quick installation guide



Bosch Security Systems, LLC
 130 Perinton Parkway
 Fairport, NY 14450
 USA
www.electrovoice.com
 © Bosch Security Systems, LLC, 2023

EU importer:
Bosch Sicherheitssysteme GmbH
 Robert-Bosch-Platz 1
 70839 Gerlingen
 Germany
 © Bosch Sicherheitssysteme GmbH, 2023



Technical data	
	ZLX-G2-BRKT Wall mount bracket, ZLX G2 2-way mode
Color	Black
Dimensions (H x W x D) (mm)	See individual part drawing
Dimensions (H x W x D) (in)	See individual part drawing
Shipping dimensions (H x W x D) (mm)	135 mm x 160 mm x 535 mm
Shipping dimensions (H x W x D) (in)	5.31 in x 6.30 in x 21.06 in
Weight (kg)	1.44 kg
Weight (lb)	3.20 lb
Shipping weight (kg)	1.98 kg
Shipping weight (lb)	4.4 lb

Dimensions:

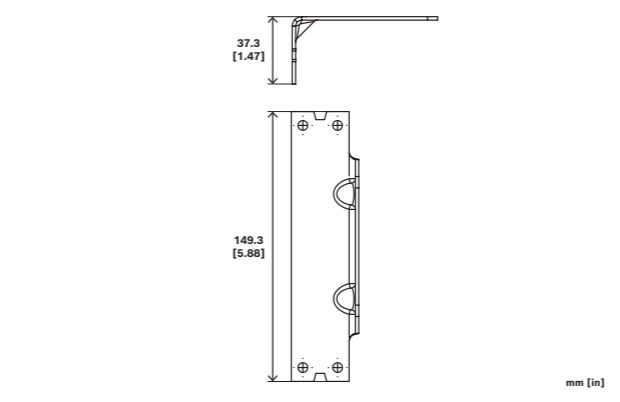


Fig. 19: Through hole bracket

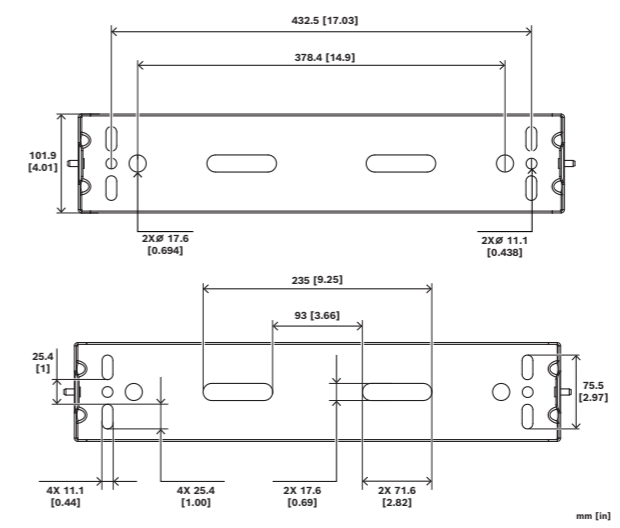


Fig. 20: U-bracket

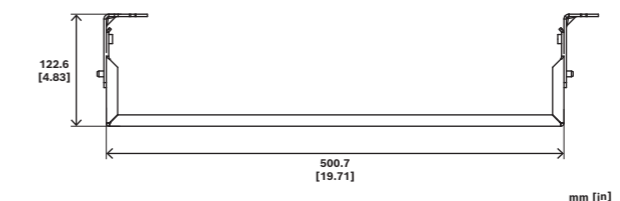


Fig. 21: U-bracket assembly

Mounting the loudspeaker to the U-bracket

- Slide the bracket through hole onto the pilot pin of the U-bracket.
 This procedure applies to any wall mounting orientation.

- Guide the slot opening of the small bracket with the pilot pin on the other end of the U-bracket.

- Hook into position.
 The loudspeaker is loosely hung and allows you to position the loudspeaker to the required angle.
- Position the loudspeaker to the required angle.
- Insert one M6 screw (supplied) into each bracket and tighten sufficiently, so the loudspeaker does not rotate.

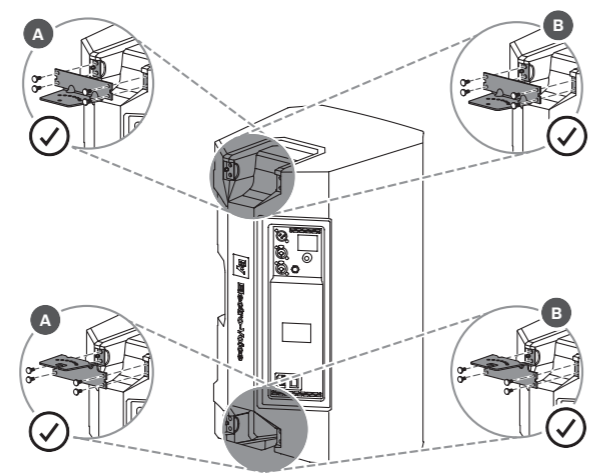
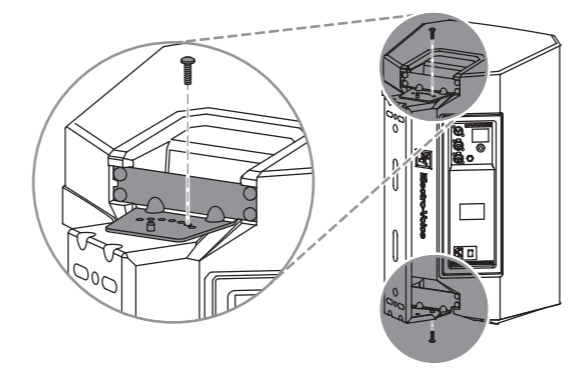


Fig. 16: Correct upper and lower mounting plate installation in 15-inch versions

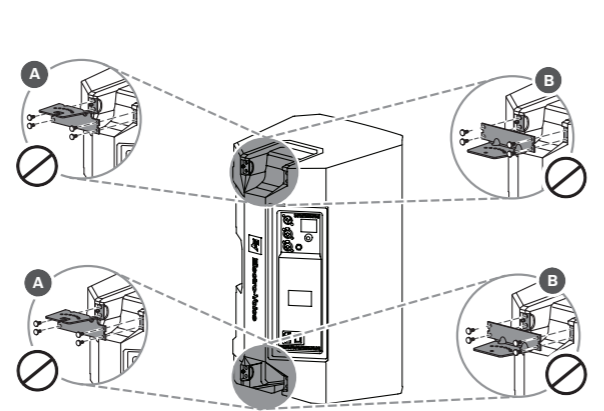


Fig. 17: Incorrect upper and lower mounting plate installation in 12-inch versions

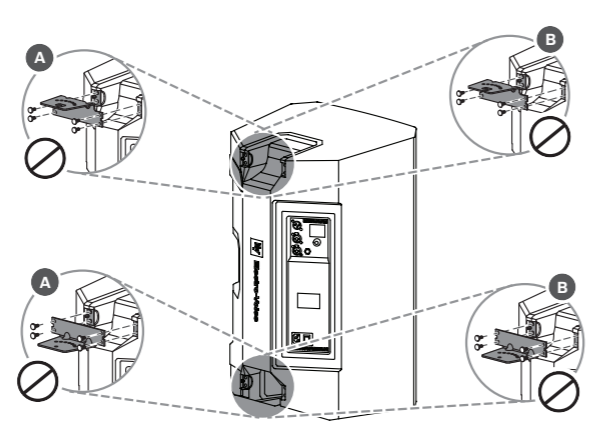


Fig. 18: Incorrect upper and lower mounting plate installation in 15-inch versions



Fig. 15: Correct upper and lower mounting plate installation in 12-inch versions

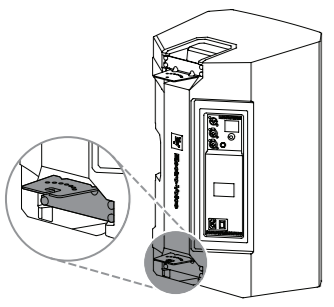


Fig. 12: 15-inch version

Notice!
 When mounting the loudspeaker in a horizontal orientation with the amplifier/input panel facing up or down, install the bracket with slotted hole with the slot opening facing down. Depending on the position of the amplifier, install the bracket with slotted hole at the top or bottom side of the loudspeaker.

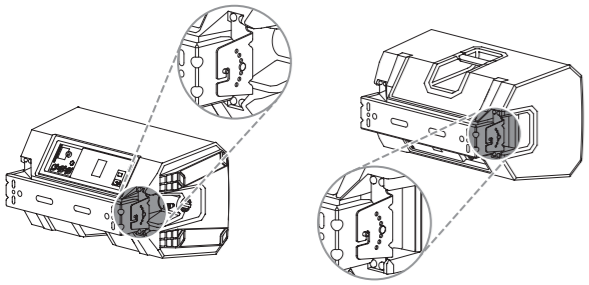


Fig. 13: 12-inch version

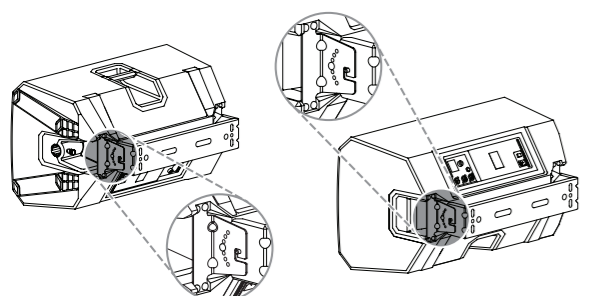


Fig. 14: 15-inch version

Correct and incorrect mounting of the brackets

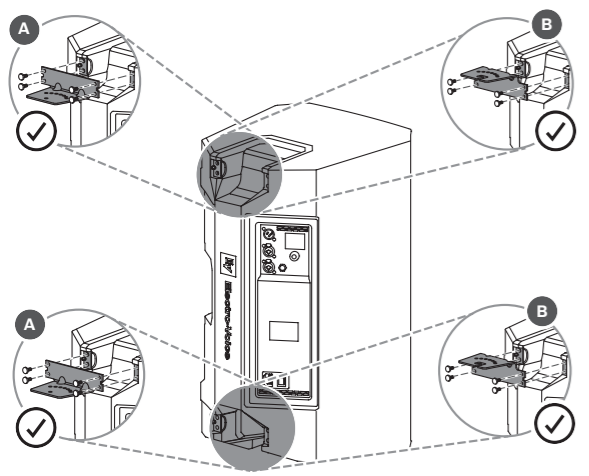


Fig. 15: Correct upper and lower mounting plate installation in 12-inch versions