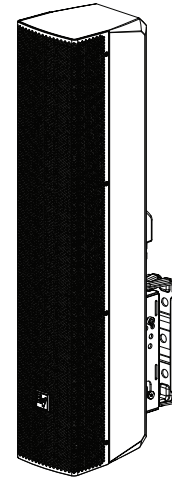


LRC-1060 Column speaker, 60cm, EN54

- Six 2.5-inch full-range drivers coupled to proprietary PaSS phase plugs produce a narrow vertical pattern and exceptional LF extension.
- Fixed 20° symmetrical vertical pattern.
- Weatherized for full exposure, including IP56c rating, and EN54-24 Type B certified for all-weather applications.
- SwifTilt Pan-Tilt mounting bracket (patent pending) supports most mounting situations and installs column as close to the mounting surface as possible.
- Includes rear insert points for suspension.



LRC Line Radiator Column is a line of passive column loudspeakers engineered specifically for installation. LRC loudspeakers are simple, practical, and easy to install, offering a sleek, neutral industrial design that blends into a wide range of settings. LRC loudspeakers can play a role in any install as main speakers, support speakers, and foreground and background speakers.

LRC-1060 loudspeakers include a pre-installed transformer for connection to 70- or 100-volt lines. These models include EV's patented Automatic Saturation Compensation (ASC) technology, which preserves low frequency response and protects system electronics from improper electrical loads when the transformer is engaged - regardless of the number of speakers connected to the line.

An integral part of LRC offering is the mounting bracket that ships with each loudspeaker. It has been carefully designed to cover most mounting situations, whether the column needs to be positioned with no tilt and as close to the wall as possible, tilted downward, inverted for up-tilt, panned to either side, or aimed with a combination of pan and tilt. LRC Line Radiator Columns are engineered for use on any system using the recommended high-pass filter, but deliver their best performance when paired with Dynacord DSP matrix processors and amplifiers. These provide dedicated presets which ensure the optimal balance of sound quality, output, and system protection. All models are available in black and white and are suitable for indoor or outdoor use.

LRC-1060 loudspeakers are EN54-24 certified, and all models are supported by EASE/EASE Focus3, PREVIEW Loudspeaker Software and by SONICUE System Software.

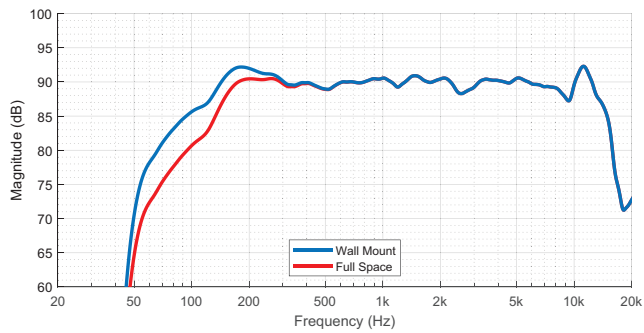
Technical specifications

Frequency range (-10 dB) ¹	70 Hz - 15000 Hz
Maximum SPL ²	122 dB
Axial sensitivity ³	90 dB SPL 1W/1m
Coverage angle HxV ⁴	130° x 20°
Power handling (continuous) ⁵	100 W
Power handling (program) ⁵	200 W
Peak input voltage (Lo-Z)	80 V
Nominal impedance (Lo-Z)	8 Ω
Minimum impedance (Lo-Z)	8.5 Ω at 400 Hz
Recommended high-pass	≥70 Hz Butterworth, 24 dB/oct
Transformer taps 70 V line	60 W; 30 W; 15 W; 8 W; 4 W
Transformer taps 100 V line	60 W; 30 W; 15 W; 8 W
Transducer (quantity) size	(6) 2.5 in active drivers (2) 2.5 in passive radiators
Connector type	4-pin Euroblock Input + Pass through
Wire size	12AWG (maximum)
Suspension points	(2) M8
Mounting	SwifTilt Multi-angle Tilt + Pan Bracket

Maximum horizontal pan angle	+/- 80° (at all down-tilt angles)
Vertical down-tilt angles ⁷	0°, 2.5°, 5°, 7.5°, 10°, 15°, 20°, 25°
IP rating	FW (outdoor full exposure), IP56c
Color	RAL 9004 Signal black / RAL 9003 Signal white
Dimensions (H x W x D)	22.83 in x 4.13 in x 5.67 in
Dimensions (H x W x D)	580 mm x 105 mm x 144 mm
Weight	9.70 lb
Weight	4.40 kg
Shipping weight	16.31 lb
Shipping weight	7.4 kg
Included hardware	Tilt bracket Pan bracket Gland nut weather cover Dual-ended Allen/TR20 key M8x20 mm eyebolt (pre-installed)

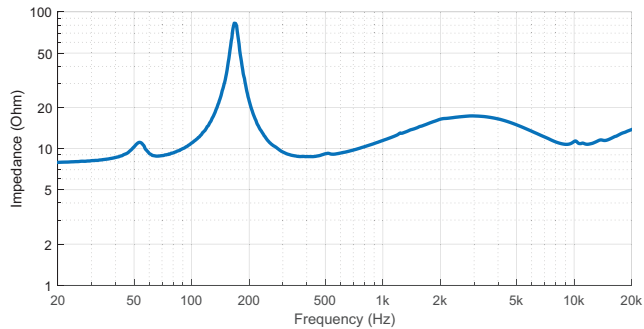
- ¹-10 dB from rated sensitivity. Measured with Music preset in half-space (wall-mounted) position
- ²1 m on axis, half-space, 12 dB crest factor pink noise with Music preset (measured)
- ³Unprocessed
- ⁴Vertical coverage unprocessed. 2 kHz - 13 kHz
- ⁵100 hrs continuous EN54-24 noise, Lo-Z
- ⁶20 ms average, Lo-Z
- ⁷Using included surface-mount bracket

Frequency response⁸

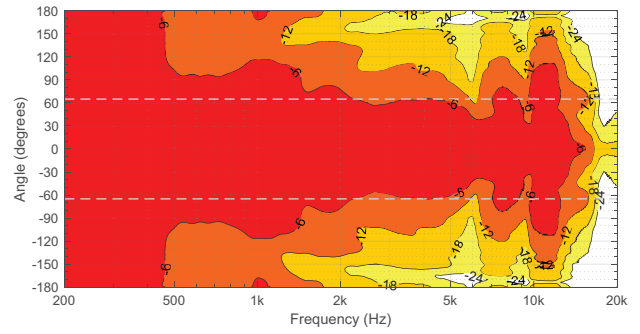


⁸Centered listening window average 40° H x 10° V

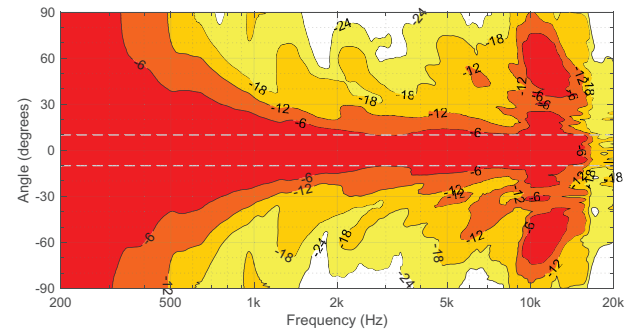
Impedance response



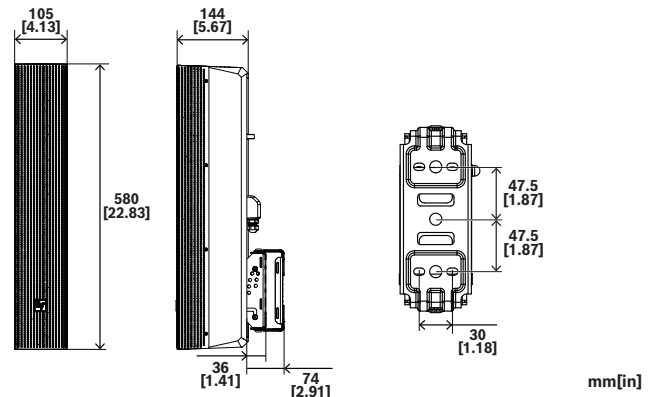
Horizontal spatial frequency response



Vertical spatial frequency response



Dimensions



mm[in]

Complementary products

LRC-1100-B Column speaker, 100cm, blk, EN54

LRC-1100-W Column speaker, 100cm, wht, EN54

LRC-2100-B column speaker, 2-way 100cm blk

LRC-2100-W column speaker, 2-way 100cm wht

Compatible system solutions, software

Dynacord SONICUE control software

Electro-Voice PREVIEW Loudspeaker software

AFMG EASE and EASE Focus3

Ordering information

LRC-1060-B Column speaker, 60cm, blk, EN54

Column speaker, 60cm, black, EN54-certified

Order number **LRC-1060-B | F.01U.417.794**

LRC-1060-W Column speaker, 60cm, wht, EN54

Column speaker, 60cm, white, EN54-certified

Order number **LRC-1060-W | F.01U.417.795**



<https://www.electrovoice.com>