

## ASP-58 Adjustable subwoofer stand

### General accessory

---

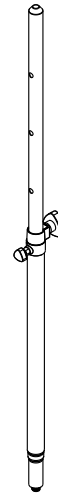
- Adjustable steel pole with powder coat
- Maximum weight up to 45.4 kg (100 lb)
- M20 thread on bottom to connect with subwoofer pole cup and 35 mm (1-3/8 in) on top to connect with a full-range loudspeaker pole cup
- Maximum height adjustment up to 1460 mm (57.5 in)
- Spring-loaded bolt with a locking screw to secure the height of the pole

The ASP-58 pole is a manual height adjustable steel subwoofer stand: from 935 mm to 1460 mm (36.8 inch to 57.5 inch) in increments of 175 mm (6-7/8 in). The pole is constructed with powder-coated steel to withstand real world applications. To maximize the stability, the bottom is designed for use with M20 threaded pole cups to securely attach to the subwoofer. The top of the pole is designed with industry standard 35 mm (1-3/8 in) diameter pole. The pole is equipped with a spring-loaded bolt with a locking screw to secure the height of the pole.

### System overview

The ASP-58 is compatible with most subwoofers featuring an M20 threaded mount, including the following Electro-Voice subwoofer models:

- ELX200-12SP and ELX200-12S
- ELX200-18SP and ELX200-18S
- EKX-15SP and EKX-15S
- EKX-18SP and EKX-18S
- ETX-15SP
- ETX-18SP
- TX1181
- SbA750 and SbA760
- Gladiator G118
- Plasma P2



### Mounting a loudspeaker on a pole

- i Notice**  
We recommend that two or more persons lift and place heavier loudspeakers. Single person lift and placement of heavier loudspeakers could cause injury.
1. Place the subwoofer on a level stable surface.
  2. Insert the M20 threaded pole into the combo pole cup on the top of the subwoofer.
  3. Turn the M20 threaded pole clockwise to secure the pole to the subwoofer.
  4. Adjust the ASP-58 pole to the desired height.
  5. Using two (2) hands lift the loudspeaker.
  6. Set the pole cup located on the bottom of the loudspeaker onto the pole.

- i Notice**  
ASP-58 pole supports up to 45.4 kg (100 lb) maximum weight. Always place the subwoofer on a flat stable surface. The system stability while mounted on the ASP-58 pole is dependent on the pole height setting and the size and weight combination of the full-range speaker and subwoofer. It is the responsibility of the user to ensure the assembled system is secure and stable. Misuse could lead to injury or equipment damage.

## Parts included

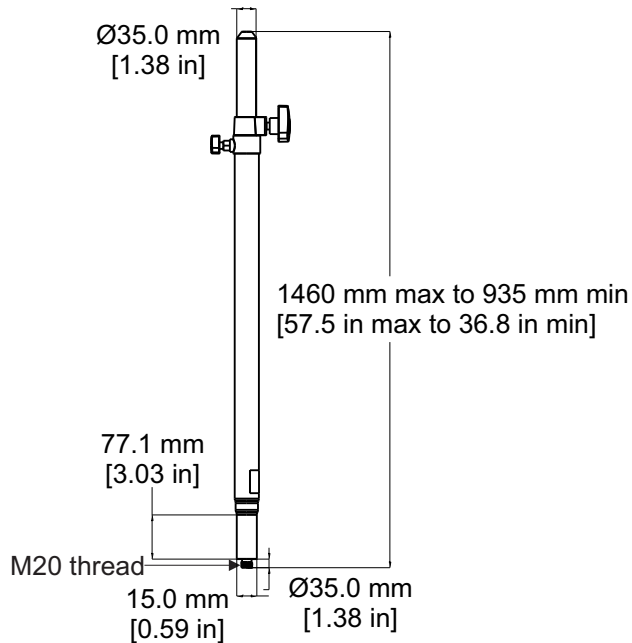
Quantity	Component
1	ASP-58 pole
1	Engineering data sheet

## Technical specifications

Material	Steel
Coating type	Powder coat
Color	Black
Thread type	M20 <sup>1</sup>
Height (in)	36.8 in - 57.5 in
Height (mm)	935 mm - 1460 mm
Height adjustment:	Spring-loaded bolt, locking screw and safety bolt
Weight (lb)	5.40 lb
Weight (kg)	2.40 kg
Shipping weight (lb)	7 lb
Shipping weight (kg)	3.10 kg

<sup>1</sup> Tube ends threaded with tapered to fit in various subwoofer pole cup (insert and threaded)

## Dimensions



### Represented by:

**Germany:**  
 Bosch Sicherheitssysteme GmbH  
 Robert-Bosch-Ring 5  
 85630 Grasbrunn  
 Germany  
[www.electrovoice.com](http://www.electrovoice.com)

Bosch Security Systems, LLC  
 12000 Portland Avenue South  
 Burnsville MN 55337  
 USA

### Compatible System Solutions:

ETX-18SP	18" powered subwoofer
ETX-15SP	15" powered subwoofer
EKX-18SP	18" powered subwoofer
EKX-15SP	15" powered subwoofer
EKX-18S	18" passive subwoofer
EKX-15S	15" passive subwoofer
ELX200-18SP	18" powered subwoofer
ELX200-12SP	12" powered subwoofer
ELX200-18S	18" passive subwoofer
ELX200-12S	12" passive subwoofer
TX1181	18" passive subwoofer

## Ordering information

### ASP-58 Adjustable subwoofer stand

Adjustable steel speaker pole with powder coat, tapered M20 threaded, black

Order number **ASP-58 | F.01U.317.892**