

LRC-2100 column speaker, 2-way 1m

- Twelve 2.5-inch mid-high drivers coupled to proprietary PaSS phase plugs produce a narrow vertical pattern and exceptional LF extension.
- User can select a narrow or wide vertical pattern (25°/45°), with a 7.5° downward bias to focus energy towards the listener.
- Weatherized for full exposure, including IP55c rating.
- SwifTilt Pan-Tilt mounting bracket (patent pending) supports most mounting situations and installs column as close to the mounting surface as possible.
- Includes rear insert points for suspension.



LRC Line Radiator Column is a line of passive column loudspeakers engineered specifically for installation. LRC loudspeakers are simple, practical, and easy to install, offering a sleek, neutral industrial design that blends into a wide range of settings.

LRC loudspeakers can play a role in any install as main speakers, support speakers, and foreground and background speakers.

An integral part of LRC offering is the mounting bracket that ships with each loudspeaker. It has been carefully designed to cover most mounting situations, whether the column needs to be positioned with no tilt and as close to the wall as possible, tilted downward, inverted for up-tilt, panned to either side, or aimed with a combination of pan and tilt.

LRC Line Radiator Columns are engineered for use on any system using the recommended high-pass filter, but deliver their best performance when paired with Dynacord DSP matrix processors and amplifiers. These provide dedicated presets which ensure the optimal balance of sound quality, output, and system protection. All models are available in black and white and are suitable for indoor or outdoor use.

LRC-2100 is supported by EASE/EASE Focus3, PREVIEW Loudspeaker Software and by SONICUE System Software, as well as AFMG's EASE and EASE Focus3 software.

Technical specifications

Frequency range (-10 dB) ¹	45 - 16000 Hz
Maximum SPL ²	128 dB narrow 126 dB wide
Axial sensitivity ³	91.5 dB SPL 1W/1m narrow 90 dB SPL 1W/1m wide
Acoustic down-tilt (relative to horizontal)	-7.5°
Coverage angle HxV ⁴	180° x 25° (narrow) 180° x 45° (wide)
Power handling (continuous) ⁵	300 W
Power handling (program) ⁶	600 W
Peak input voltage	130 V
Nominal impedance	8 Ω
Minimum impedance	6.4 Ω at 280 Hz
Recommended high pass	50 Hz Butterworth 24 dB/oct
Transducer (quantity) size	(2) 6.5 in bass drivers (12) 2.5 in mid-high drivers
Connector type	4-pin Euroblock Input + Pass through (max 10AWG)
Suspension points	(6) M8x20mm
Mounting	SwifTilt Multi-angle Tilt + Pan Bracket

Maximum horizontal pan angle	+/- 80° at all down-tilt angles
Vertical down-tilt angles ⁷	0°, 2.5°, 5°, 7.5°, 10°, 15°, 20°, 25°
IP rating ⁸	IP55
Color	RAL 9004 Signal black / RAL 9003 Signal white
Dimensions (H x W x D)	37.4 in x 7.28 in x 9.84 in
Dimensions (H x W x D)	950 mm x 185 mm x 250 mm
Weight	33 lb
Weight	15.7 kg
Shipping weight	35.27 lb
Shipping weight	21.4 kg
Included hardware	Tilt bracket Pan bracket Gland nut weather cover Dual-ended Allen key M8x20 mm eyebolt (pre-installed)

¹-10 dB from rated sensitivity. Measured unprocessed in half-space (wall-mounted) position

²1 m on axis, half-space, 12 dB crest factor pink noise with Music preset (measured)

³Unprocessed

⁴Vertical coverage unprocessed

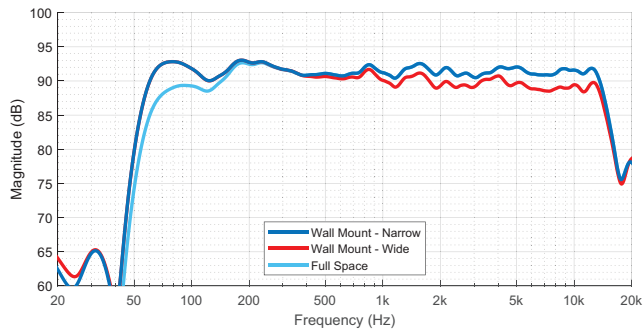
⁵100 hrs continuous EN54-24 noise, Lo-Z

⁶20 ms average, Lo-Z

⁷Using included surface-mount bracket

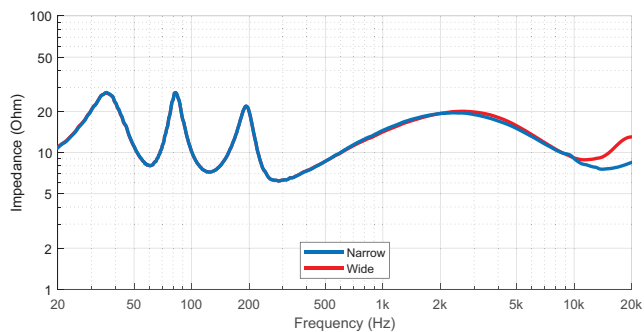
⁸Only valid when mounted upright (not inverted)

Frequency response⁹

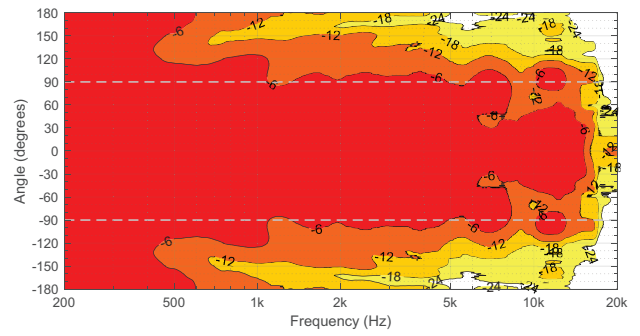


⁹Centered listening window average 40° H x 10° V

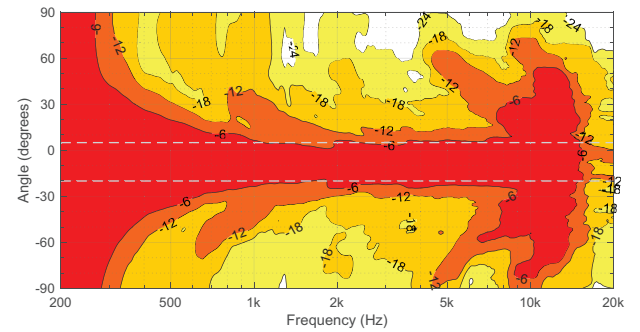
Impedance response



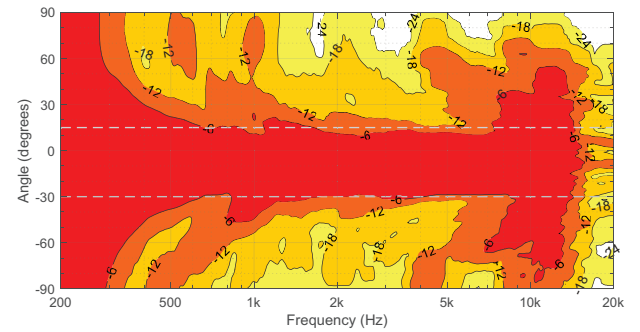
Horizontal spatial frequency response



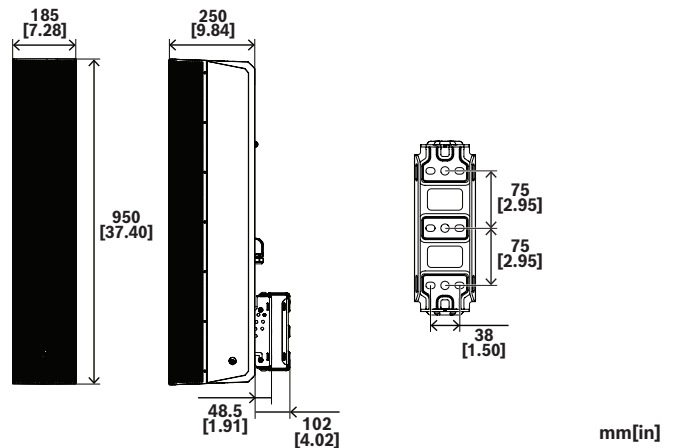
Vertical spatial frequency response (narrow)



Vertical spatial frequency response (wide)



Dimensions



mm[in]

Complementary products

LRC-1060-B Column speaker, 60cm, blk, EN54

LRC-1060-W Column speaker, 60cm, wht, EN54

LRC-1100-B Column speaker, 100cm, blk, EN54

LRC-1100-W Column speaker, 100cm, wht, EN54

Compatible system solutions, software

Dynacord SONICUE control software

Electro-Voice PREVIEW Loudspeaker software

AFMG EASE and EASE Focus3

Ordering information

LRC-2100-B column speaker, 2-way 100cm blk

2-way column speaker, 1 m, black

Order number **LRC-2100-B | F.01U.417.802**

LRC-2100-W column speaker, 2-way 100cm wht

2-way column speaker, 1 m, white

Order number **LRC-2100-W | F.01U.417.803**



<https://www.electrovoice.com>