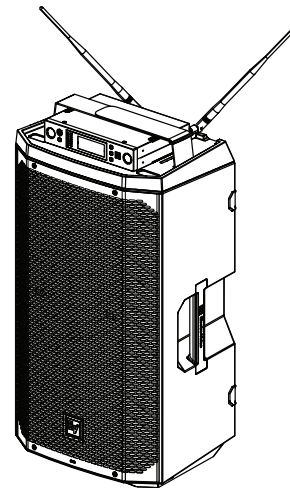


## EVERSE12-TRAY Tray for EVERSE 12, 12V DC cable

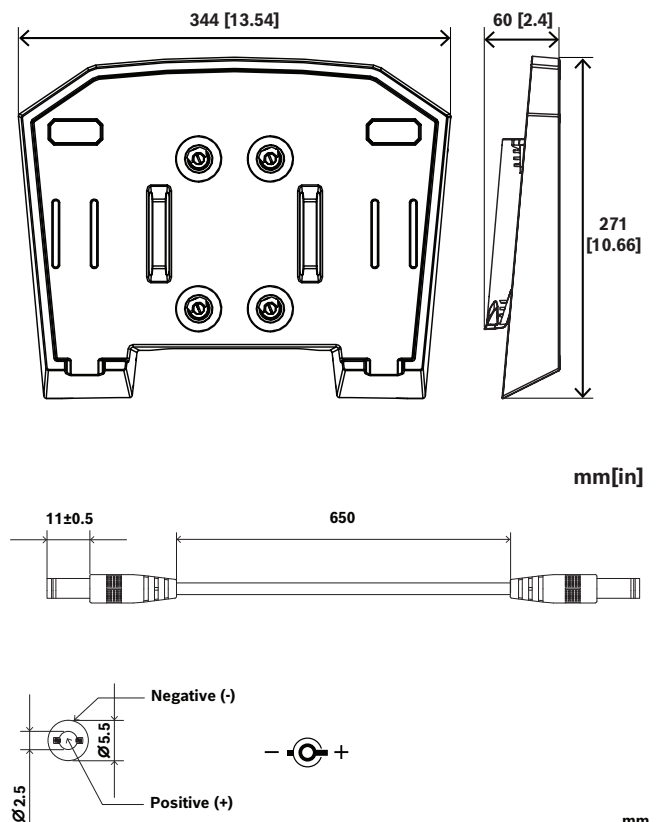
- Secure mounting tray for wireless microphone receivers such as the Electro-Voice RE3 or R300, and other equipment such as tablets or smartphones.
- The hook and loop strap combined with integrated locating notches keep both microphone receivers and microphones secure.
- DC power cable included to power your RE3 or R300 receiver with the EVERSE 8's battery.
- Available in black or in white.



### Technical specifications

Material	Polypropylene
Color	Black or white
Cable length (mm)	650 mm
Cable length (in)	25.59 in
Cable color	Black
Connector OD (mm)	5.5 mm
Connector ID (mm)	2.5 mm
Connector length (mm)	11 mm
Polarity	Center positive
Dimensions (H x W x D) (mm)	60 mm x 344 mm x 271 mm
Dimensions (H x W x D) (in)	2.36 in x 13.58 in x 10.66 in
Shipping dimensions (H x W x D) (mm)	97 mm x 405 mm x 315 mm
Shipping dimensions (H x W x D) (in)	3.82 in x 15.94 in x 12.40 in
Weight (kg)	0.64 kg
Weight (lb)	1.41 lb
Shipping weight (kg)	1.02 kg
Shipping weight (lb)	2.25 lb

### Dimensions



## Ordering information

**EVERSE12-TRAY-B Tray for EVERSE 12, 12V DC cable, black**

Wireless microphone tray

Order number **EVERSE12-TRAY-B | F.01U.409.037**

---

**EVERSE12-TRAY-W Tray for EVERSE 12, 12V DC cable, white**

Wireless microphone tray

Order number **EVERSE12-TRAY-W | F.01U.429.686**

---

**Represented by:**

**Germany:**  
Bosch Sicherheitssysteme GmbH  
Robert-Bosch-Ring 5  
85630 Grasbrunn  
Germany  
[www.electrovoice.com](http://www.electrovoice.com)

Bosch Security Systems, LLC  
12000 Portland Avenue South  
Burnsville MN 55337  
USA