

# EVID-EC4.2 Ceiling speaker 4" 70/100V white

## EVID Entry Ceiling

- Bezel-less design with easy-attach grille
- Front baffle wattage tap adjustment
- Includes tile bridge and C-ring for easy installation
- UL 1480A, UL 2043, CSA 22.2 205 and IEC 62368-1 certified



The Electro-Voice EVID-EC4.2 is a complete 4-inch coaxial two-way loudspeaker that offers excellent sound quality and outstanding reliability with first-class aesthetics.

The EVID-EC4.2 utilizes a transformer that offers a selection of 1.25 (70-V only), 2.5, 5, 10 or 20 watts delivered to the loudspeaker system using either 70-V or 100-V lines, or 8-ohm bypass. Selection is via a convenient switch on the front baffle. The perforated grille is finished in semi-gloss white powder-coated enamel. The baffle is constructed from UL 94V-0 rated ABS. The rear enclosure is constructed from heavy gauge coated steel. The low-profile enclosure makes it easy to mount in very tight spaces. A side terminal-cover provides access to a 4-pin terminal block that allows direct connection to the speaker with 12-gauge and 3.3 mm<sup>2</sup>-wire and provides pass through to additional speakers.

A mounting ring and a tile bridge are included for safe suspension of the EVID-EC4.2 ceiling systems in a drop ceiling that uses mineral wool, or other fiber-based ceiling tiles.

The wide range of EVID ceiling speakers has been designed to work together as a complete system in a variety of different ceiling constructions, and to be used in combination with other EVID surface-mount and in-wall speakers

### Parts included

Quantity	Component
2	Ceiling loudspeaker
2	Loudspeaker connection cover (installed)
2	Magnetic grille

Quantity	Component
4	Ceiling tile rail
2	C-ring
4	Screw
1	Cutout template
2	Paint cover
1	Quick installation guide

### Technical specifications

Frequency range (-10 dB) (Hz) <sup>1</sup>	80 Hz – 20,000 Hz
Maximum SPL (continuous) (dB) <sup>2</sup>	105 dB
Maximum SPL (peak) (dB) <sup>2</sup>	111 dB
Sensitivity (1 W, 1 m) <sup>3</sup>	89 dB SPL 1 W, 1 m
Coverage angle conical (°)	130°
Power handling (continuous) (W) <sup>4</sup>	40 W
Power handling (peak) (W) <sup>4</sup>	160 W
Long term power handling (continuous) (W) <sup>5</sup>	40 W
Long term power handling (peak) (W) <sup>5</sup>	160 W
Nominal impedance (Ω) (Low Z)	8 Ω
Recommended high pass (Hz) <sup>6</sup>	90 Hz
Transformer taps 70 V line (W)	20 W; 5 W; 2.5 W; 1.25 W; 10 W
Transformer taps 100 V line (W)	20 W; 5 W; 2.5 W; 10 W
LF transducer size (in)	4 in
HF transducer size (in)	0.75 in

Material	Steel
Grille material	Powder coated steel
Connector type	4-pin Euroblock Input + Pass through
Wire size (AWG)	12AWG (maximum)
Wire diameter (mm <sup>2</sup> )	3.3 mm <sup>2</sup> (maximum)
Color	White; Customized colors
Color (RAL)	RAL 9003 Signal white
Mounting cutout (in)	7.20 in
Mounting cutout (mm)	183 mm
Dimensions (Ø x D) (in)	8.4 in x 6.5 in
Dimensions (Ø x D) (mm)	212 mm x 163.20 mm
Mounting depth (in)	6.2 in
Mounting depth (mm)	158 mm
Ceiling thickness (in)	0,5 in - 1,5 in
Ceiling thickness (mm)	12,5 mm - 38 mm
Weight (lb)	4.20 lb
Weight (kg)	1.90 kg
Shipping weight (lb)	14 lb
Shipping weight (kg)	6.40 kg
IP rating	IP34
Weatherization	Indoor
Operating temperature (°F)	32 °F - 104 °F
Operating temperature (°C)	0 °C - 40 °C
Safety agency ratings	UL 1480A, safe for use in air-handling spaces per UL 2043, CSA 22.2 205 certified, IEC 62368-1

<sup>1</sup>Half-space (in-ceiling mounted)

<sup>2</sup>Calculated

<sup>3</sup>Half-space (1 W/1 m)

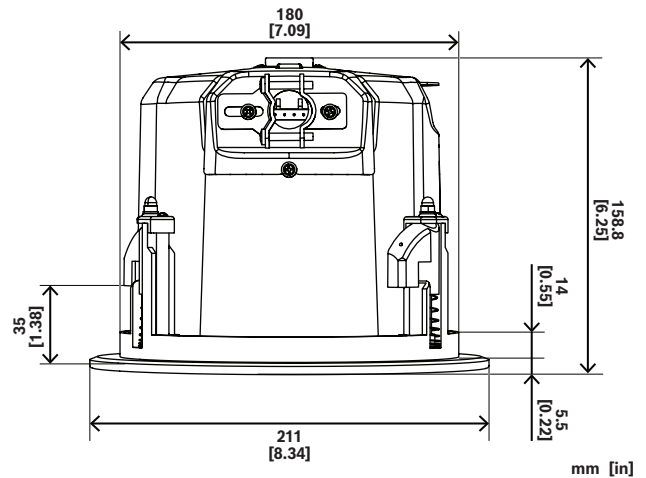
<sup>4</sup>Continuous pink noise (2 hours) 17.9 Vrms

<sup>5</sup>Continuous pink noise (100 hours) 20.0 Vrms

<sup>6</sup>24 dB/octave

<sup>7</sup>Per IEC-60529

## Dimensions



## Installation note

This is a professional product that should be installed, used and maintained by trained professionals only.

## Ordering information

### EVID-EC4.2 Ceiling speaker 4" 70/100V white

Two-way 4-inch coaxial ceiling speaker, with internal up-to-30 W 70/100-volt line transformer with 8 Ohm bypass, packaged in pairs, white

Order number **EVID-EC4.2 | F.01U.417.787**

### Accessories

#### C-RG-S-BK Round magnetic grille, small, black

Order number **C-RG-S-BK | F.01U.420.258**



<https://www.electrovoice.com>

PRELIMINARY