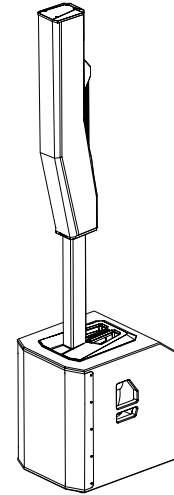


EVOLVE 70 Column Loudspeaker System

- 15-inch subwoofer with high-efficiency laminar-flow vent design provides massive bass output with low-frequency extension down to 35 Hz
- Eight (8) 4.7-inch neodymium drivers deliver 133 dB maximum SPL with clear, powerful 120°-wide horizontal coverage via proprietary waveguides and array-formed asymmetrical 25° vertical coverage
- Twist-locking powerCON® power input, dual XLR/TRS combo mic/line inputs with switchable 48V phantom power, stereo XLR/TRS combo and RCA line input, AES/EBU digital input, QuickSmart Link, and Bluetooth® true wireless streaming
- Aluminum distance pole and lightweight materials enable fast 3-2-1 assembly
- QuickSmart Mobile app integration allows control of up to six EVOLVE or other Bluetooth®-enabled Electro-Voice speakers



EVOLVE 70 expands the EVOLVE Column Loudspeaker system family. This addition delivers the EVOLVE's audio performance, portability and ease of assembly in a larger format, catering to the evolving needs of professional users including pro DJs, bands, production companies, event organizers, and venues. EVOLVE 70 features a 15-inch subwoofer, designed to provide deeper bass and optimum sound quality for events with 300 to 500 attendees or more. Building on the success and renowned audio quality of the EVOLVE 50, EVOLVE 70 embodies a premium solution that combines portability and a relatively compact form factor with massive output, waveguide-formed coverage and longer throw for bigger shows/events.

EVOLVE 70 is integrated into the QuickSmart Mobile App ecosystem, which allows the user to control it as part of a system with other Bluetooth-enabled Electro-Voice portable speakers.

EVOLVE 70 features industry standard connectors for microphones and line-level signals, including XLR/TRS combo jacks, stereo RCA line input, AES/EBU digital audio, and Bluetooth® true wireless stereo streaming. Available in black or white finishes, the EVOLVE 70 Column Loudspeaker system includes a transport shoulder bag for column and pole. The system also offers a select complement of accessories such as a short pole, a padded slip cover for the subwoofer, and a subwoofer transport dolly board, all sold separately.

Technical specifications

Column	(8) 4.7-inch neodymium drivers
Subwoofer	(1) 15-inch woofer with 3-inch voice coil
Frequency response (-3 dB) (Hz) ¹	40 Hz – 18,000 Hz
Frequency range (-10 dB) (Hz) ¹	35 Hz – 20,000 Hz

2 | EVOLVE 70 Column Loudspeaker System

Maximum sound pressure level at a distance of 1 m (dB) ²	133 dB
Coverage angle HxV (°)	120° x 25°
Amplifier rating (W)	2000 W
Power consumption (V, Hz, A) ³	100 - 240 VAC, 50 - 60 Hz, 2.1 ~ 0.9 A
LF channel rating (W)	1000 W
HF channel rating (W)	1000 W
Crossover frequency (Hz)	160 Hz
Connector type	powerCON® power input Dual XLR/TRS combo jack mic / line inputs with switchable 48V phantom power Stereo XLR/TRS combo jack line input Stereo RCA line input XLR AES/EBU input XLR AES/EBU thru XLR Mix out XLR Sub out RJ45 QuickSmart Link connector Bluetooth Stereo input with TWS
Enclosure	Plywood with polyurea coating (subwoofer) Composite (column) Aluminum (pole)
Grille material	Steel with black or white powder coat
Color	Black or white
Dimensions (H x W x D) (in)	24.5 in x 17.7 in x 23.9 in (subwoofer) 42.9 in x 5.2 in x 10.2 in (column) 29.3 in x 2.6 in x 3.8 in (pole)
Dimensions (H x W x D) (mm)	623 mm x 450 mm x 607 mm (subwoofer) 1090.1 mm x 131.4 mm x 259 mm (column) 745 mm x 66 mm x 95.8 mm (pole)
Assembled dimensions (H x W x D) (in)	88.9 in x 17.7 in x 23.9 in
Assembled dimensions (H x W x D) (mm)	2259 mm x 450 mm x 607 mm
Shipping dimensions (H x W x D) (in)	27.3 in x 20.4 in x 26.7 in (subwoofer) 45.2 in x 7.6 in x 14.4 in (column and pole)
Shipping dimensions (H x W x D) (mm)	693 mm x 520 mm x 677 mm (subwoofer) 1150 mm x 193 mm x 365 mm (column and pole)
Weight (lb)	78.3 lb
Weight (kg)	35.5 kg
Shipping weight (lb)	72.8 lb (subwoofer) 25.1 lb (column and pole)
Shipping weight (kg)	33 kg (subwoofer) 11.4 kg (column and pole)

¹Full-space measurement using music DSP preset.

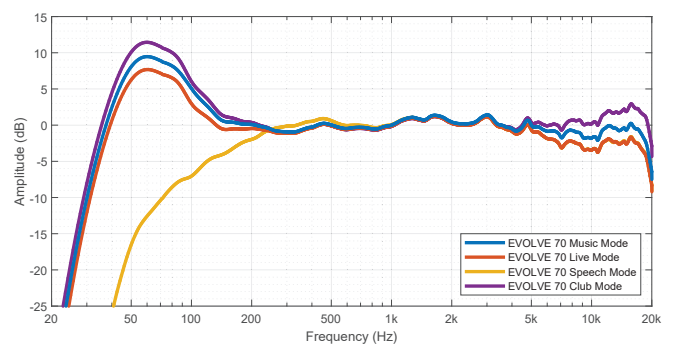
²Maximum SPL is measured at 1 m using broadband pink noise at maximum output.

³Current rating is 1/8 power.

Amplifier panel



Frequency response



Dimensions

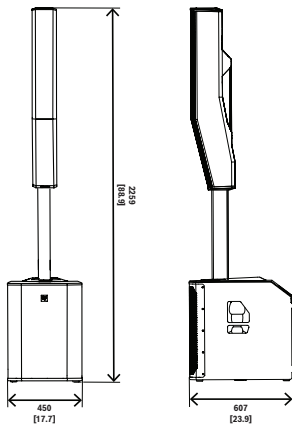


Fig. 1: EVOLVE 70 system

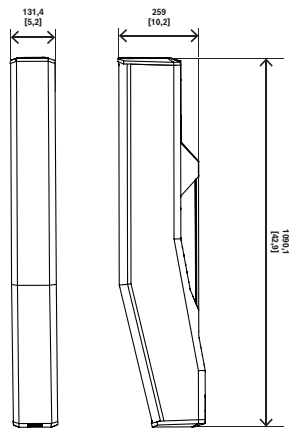


Fig. 2: EVOLVE70-90 column

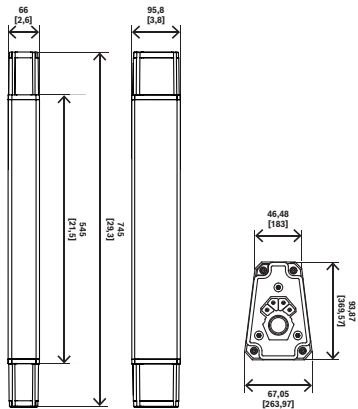


Fig. 3: EVOLVE70-90 pole

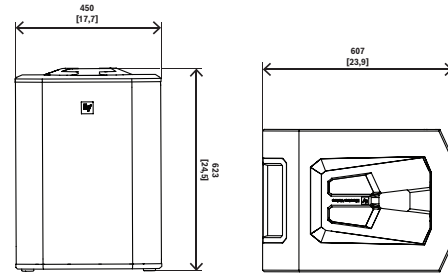


Fig. 4: EVOLVE 70 subwoofer

Ordering information

EVOLVE70-90-TB EVOLVE70-90 Column, pole black
 Column speaker and sub pole, black
 Order number **EVOLVE70-90-TB | F.01U.426.438**

EVOLVE70-90-TW EVOLVE70-90 Column, pole white
 Column speaker and sub pole, white
 Order number **EVOLVE70-90-TW | F.01U.426.439**

EVOLVE70-SB-EU EVOLVE 15" Sub Black EU cord
 15-inch subwoofer, Europe cord, black
 Order number **EVOLVE70-SB-EU | F.01U.426.433**

EVOLVE70-SB-US EVOLVE 15" Sub Black US cord
 15-inch subwoofer, United States cord, black
 Order number **EVOLVE70-SB-US | F.01U.426.432**

EVOLVE70-SW EVOLVE 15" Sub White US & EU
 15-inch subwoofer, Europe and United States cords, white
 Order number **EVOLVE70-SW | F.01U.426.434**

Accessories

EVOLVE70-90-PL-SB EVOLVE70-90 Short Pole Black
 11.8-inch pole to connect column and sub, black
 Order number **EVOLVE70-90-PL-SB | F.01U.426.442**

EVOLVE70-90-PL-SW EVOLVE70-90 Short Pole White
 11.8-inch pole to connect column and sub, white
 Order number **EVOLVE70-90-PL-SW | F.01U.426.443**

EVOLVE70-CVR EVOLVE70 Sub slip cover
 Slip cover for 15-inch sub, grille protection, black
 Order number **EVOLVE70-CVR | F.01U.426.440**

EVOLVE70-DOLLY EVOLVE70 Dolly
 Dolly board with casters for EVOLVE 70 subwoofers
 Order number **EVOLVE70-DOLLY | F.01U.426.444**



<https://www.electrovoice.com>