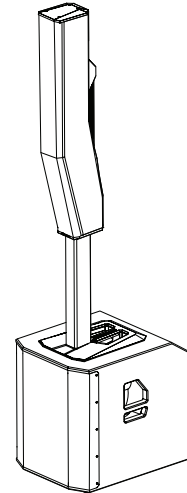


## EVOLVE 90 Column Loudspeaker System

- 18-inch subwoofer with high-efficiency laminar-flow vent design provides massive bass output with low-frequency extension down to 28 Hz
- Eight (8) 4.7-inch neodymium drivers deliver 134 dB maximum SPL with clear, powerful 120°-wide horizontal coverage via proprietary waveguides and array-formed asymmetrical 25° vertical coverage
- Twist-locking powerCON® power input, dual XLR/TRS combo mic/line inputs with switchable 48V phantom power, stereo XLR/TRS combo and RCA line input, AES/EBU digital input, QuickSmart Link, and Bluetooth® true wireless streaming
- Aluminum distance pole and lightweight materials enable fast 3-2-1 assembly
- QuickSmart Mobile app integration allows control of up to six EVOLVE or other Bluetooth®-enabled Electro-Voice speakers



EVOLVE 90 expands the EVOLVE Column Loudspeaker system family. This addition delivers the EVOLVE's audio performance, portability and ease of assembly in a larger format, catering to the evolving needs of professional users including pro DJs, bands, production companies, event organizers, and venues. EVOLVE 90 features an 18-inch subwoofer, designed to provide deeper bass and optimum sound quality for events with 300 to 500 attendees or more. Building on the success and renowned audio quality of the EVOLVE 50, EVOLVE 90 embodies a premium solution that combines portability and a relatively compact form factor with massive output, waveguide-formed coverage and longer throw for bigger shows/events.

EVOLVE 90 is integrated into the QuickSmart Mobile App ecosystem, which allows the user to control it as part of a system with other Bluetooth-enabled Electro-Voice portable speakers.

EVOLVE 90 features industry standard connectors for microphones and line-level signals, including XLR/TRS combo jacks, stereo RCA line input, AES/EBU digital audio, and Bluetooth® true wireless stereo streaming. Available in black or white finishes, the EVOLVE 90 Column Loudspeaker system includes a transport shoulder bag for column and pole. The system also offers a select complement of accessories such as a short pole, a padded slip cover for the subwoofer, and a subwoofer transport dolly board, all sold separately.

### Technical specifications

Column	(8) 4.7-inch neodymium drivers
Subwoofer	(1) 18-inch cast frame woofer with 4-inch voice coil
Frequency response (-3 dB) (Hz) <sup>1</sup>	35 Hz – 18,000 Hz
Frequency range (-10 dB) (Hz) <sup>1</sup>	28 Hz – 20,000 Hz

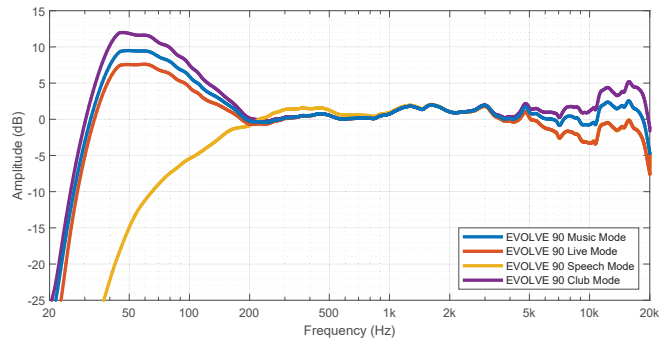
Maximum sound pressure level at a distance of 1 m (dB) <sup>2</sup>	134 dB
Coverage angle HxV (°)	120° x 25°
Amplifier rating (W)	2000 W
Power consumption (V, Hz, A) <sup>3</sup>	100 - 240 VAC, 50 - 60 Hz, 2.1 ~ 0.9 A
LF channel rating (W)	1000 W
HF channel rating (W)	1000 W
Crossover frequency (Hz)	160 Hz
Connector type	powerCON® power input Dual XLR/TRS combo jack mic / line inputs with switchable 48V phantom power Stereo XLR/TRS combo jack line input Stereo RCA line input XLR AES/EBU input XLR AES/EBU thru XLR Mix out XLR Sub out RJ45 QuickSmart Link connector Bluetooth Stereo input with TWS
Enclosure	Plywood with polyurea coating (subwoofer) Composite (column) Aluminum (pole)
Grille material	Steel with black or white powder coat
Color	Black or white
Dimensions (H x W x D) (in)	27.3 in x 20.1 in x 26.8 in (subwoofer) 42.9 in x 5.2 in x 10.2 in (column) 29.3 in x 2.6 in x 3.8 in (pole)
Dimensions (H x W x D) (mm)	694 mm x 510 mm x 680mm (subwoofer) 1090.1 mm x 131.4 mm x 259 mm (column) 745 mm x 66mm x 95.8mm (pole)
Assembled dimensions (H x W x D) (in)	92.4 in x 20.1 in x 26.8 in
Assembled dimensions (H x W x D) (mm)	2346 mm x 510 mm x 680 mm
Shipping dimensions (H x W x D) (in)	29.8 in x 22.6 in x 29.2 in (subwoofer) 45.2 in x 7.6 in x 14.4 in (column and pole)
Shipping dimensions (H x W x D) (mm)	758 mm x 575 mm x 741 mm (subwoofer) 1150 mm x 193 mm x 365 mm (column and pole)
Weight (lb)	98.1 lb
Weight (kg)	44.5 kg
Shipping weight (lb)	94.8 lb (subwoofer) 25.1 lb (column and pole)
Shipping weight (kg)	43 kg (subwoofer) 11.4 kg (column and pole)

<sup>1</sup>Full-space measurement using music DSP preset.  
<sup>2</sup>Maximum SPL is measured at 1 m using broadband pink noise at maximum output.  
<sup>3</sup>Current rating is 1/8 power.

### Amplifier panel



### Frequency response



**Dimensions**

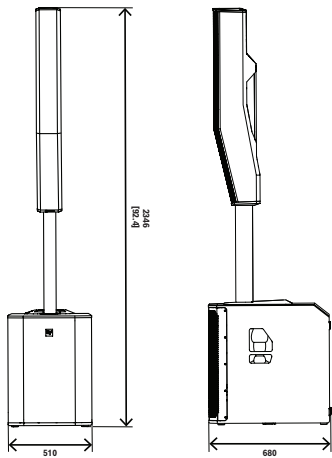


Fig. 1: EVOLVE 90 system

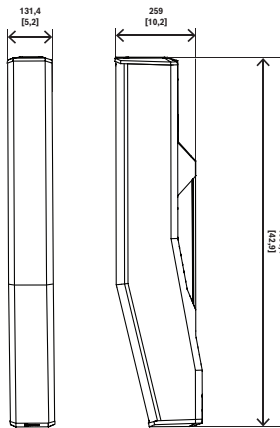


Fig. 2: EVOLVE70-90 column

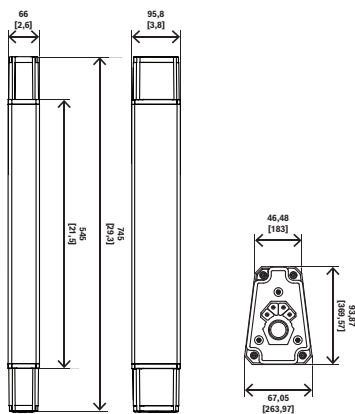


Fig. 3: EVOLVE70-90 pole

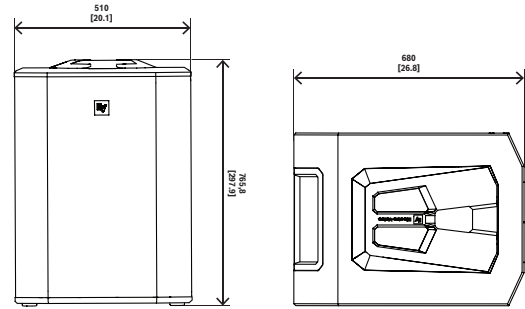


Fig. 4: EVOLVE 90 subwoofer

**Ordering information**

**EVOLVE70-90-TB EVOLVE70-90 Column, pole black**  
 Column speaker and sub pole, black  
 Order number **EVOLVE70-90-TB | F.01U.426.438**

**EVOLVE70-90-TW EVOLVE70-90 Column, pole white**  
 Column speaker and sub pole, white  
 Order number **EVOLVE70-90-TW | F.01U.426.439**

**EVOLVE90-SB-EU EVOLVE 18" Sub Black EU cord**  
 18-inch subwoofer, Europe cord, black  
 Order number **EVOLVE90-SB-EU | F.01U.426.436**

**EVOLVE90-SB-US EVOLVE 18" Sub Black US cord**  
 18-inch subwoofer, United States cord, black  
 Order number **EVOLVE90-SB-US | F.01U.426.435**

**EVOLVE90-SW EVOLVE 18" Sub White US & EU**  
 18-inch subwoofer, Europe and United States cords, white  
 Order number **EVOLVE90-SW | F.01U.426.437**

**Accessories**

**EVOLVE70-90-PL-SB EVOLVE70-90 Short Pole Black**  
 11.8-inch pole to connect column and sub, black  
 Order number **EVOLVE70-90-PL-SB | F.01U.426.442**

**EVOLVE70-90-PL-SW EVOLVE70-90 Short Pole White**  
 11.8-inch pole to connect column and sub, white  
 Order number **EVOLVE70-90-PL-SW | F.01U.426.443**

**EVOLVE90-CVR EVOLVE90 Sub slip cover**  
 Slip cover for 18-inch sub, grille protection, black  
 Order number **EVOLVE90-CVR | F.01U.426.441**

**EVOLVE90-DOLLY EVOLVE90-DOLLY**  
 Dolly board with casters for EVOLVE 90 subwoofers  
 Order number **EVOLVE90-DOLLY | F.01U.433.863**



<https://www.electrovoice.com>